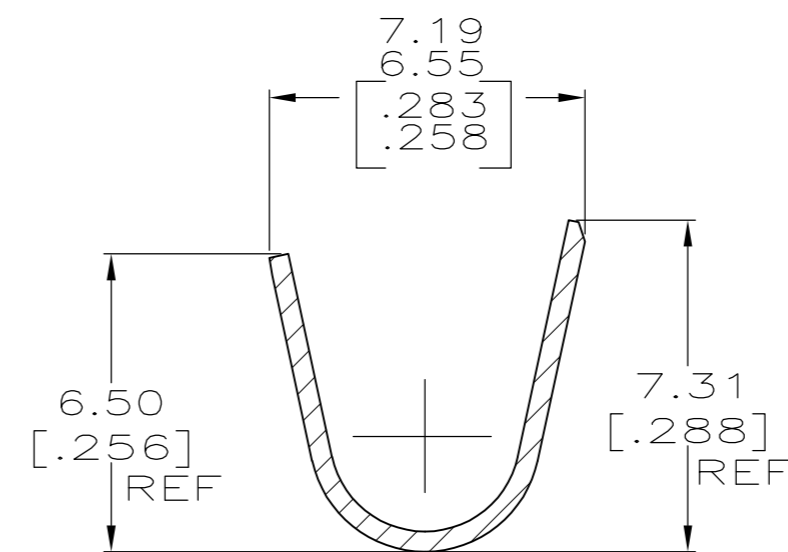
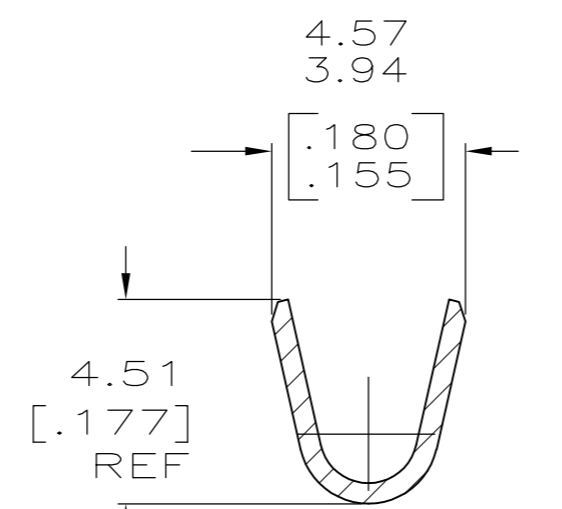
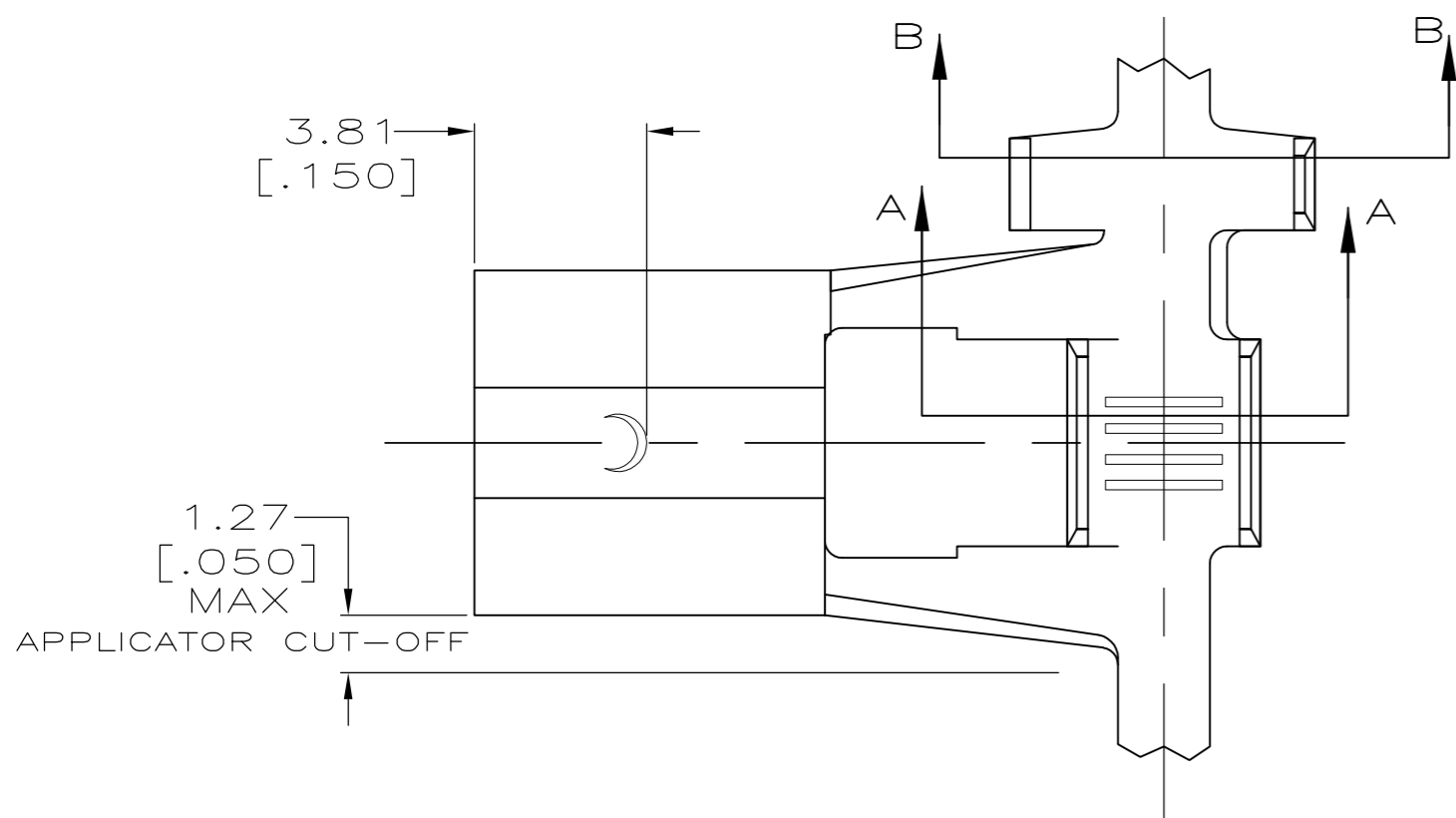


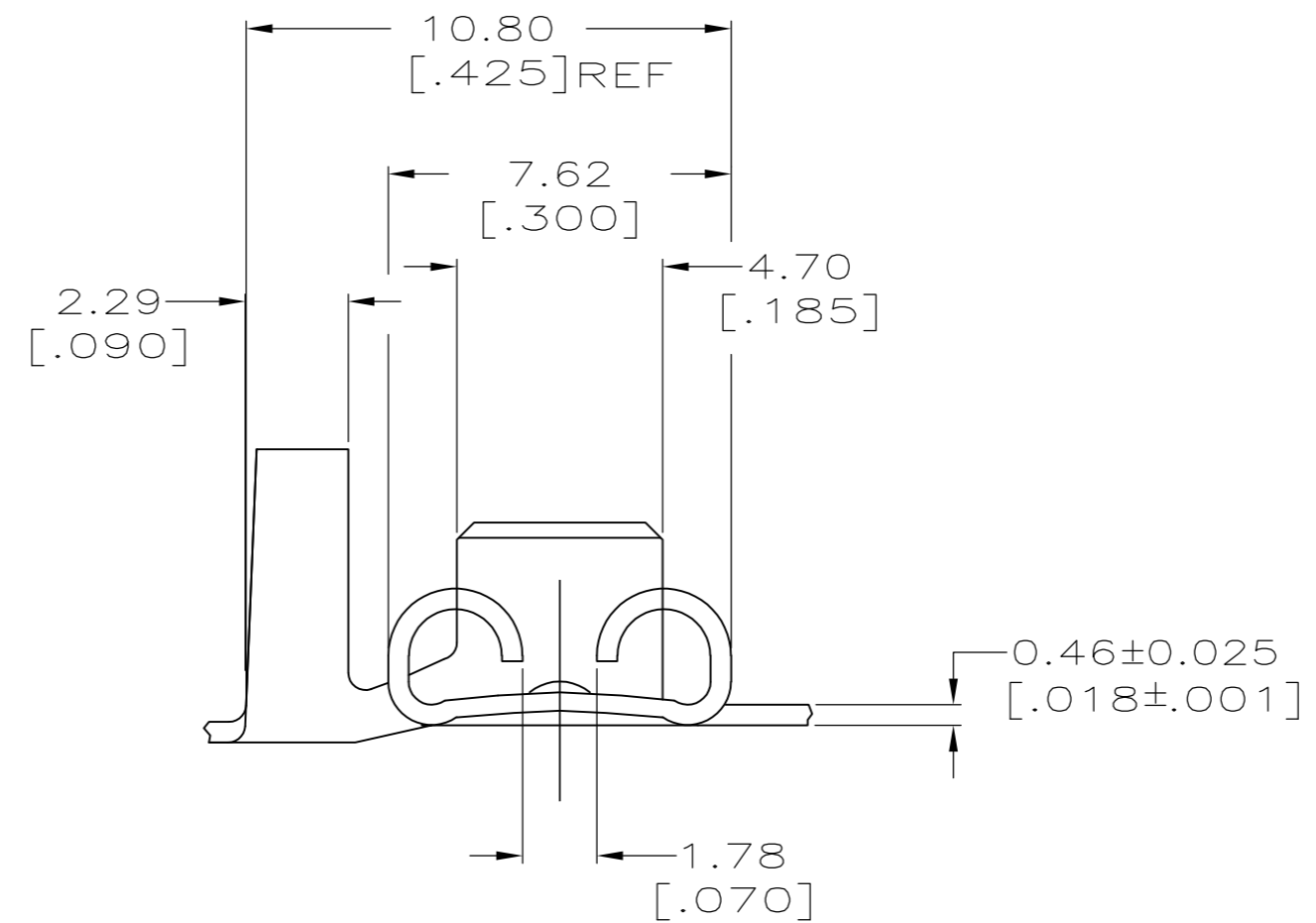
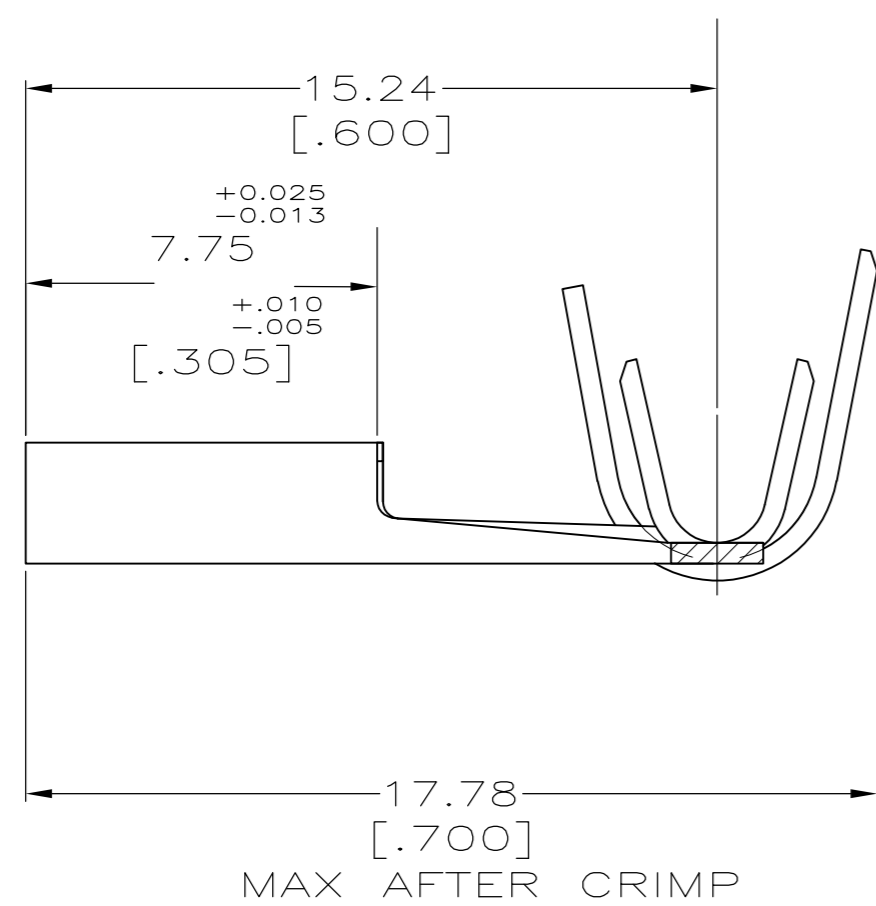
THIS DRAWING IS UNPUBLISHED. RELEASED FOR PUBLICATION
 © COPYRIGHT - By - ALL RIGHTS RESERVED.

LOC	DIST	REVISIONS			
P	LTR	DESCRIPTION	DATE	DWN	APVD
AF	50				
C		REVISED PER ECR-12-013518	26NOV2012	KH	PD



SECTION A-A

SECTION B-B



- 1 CONTINUOUS STRIP ON REELS
- 2 MATING TAB THK TO BE 0.813±0.025 [.032±.001].
- 3 WIRE SIZE IS [#16-#12] AWG.
- 4 INSULATION RANGE IS 3.05-4.32 [.120-.170] DIA.

1742718-1
 PART NO.

THIS DRAWING IS A CONTROLLED DOCUMENT.		DWN	JR RUTH	18JUL08		TE Connectivity					
DIMENSIONS: mm [INCHES]		CHK	MS FEHER	18JUL08		RECEPTACLE, FASTON, FLAG, MOLDABLE, 6.35 [.250] SERIES					
TOLERANCES UNLESS OTHERWISE SPECIFIED:		APVD	P DESANTIS	18JUL08		SIZE	CAGE CODE	DRAWING NO			
0 PLC ± - 1 PLC ± - 2 PLC ± 0.25 [.010] 3 PLC ± - 4 PLC ± - ANGLES ± -		PRODUCT SPEC	-			A2	00779	C=1742718			
MATERIAL	BRASS	FINISH	TIN	WEIGHT	-	SCALE	6:1	SHEET	1 of 1	REV	C
CUSTOMER DRAWING								RESTRICTED TO	-		